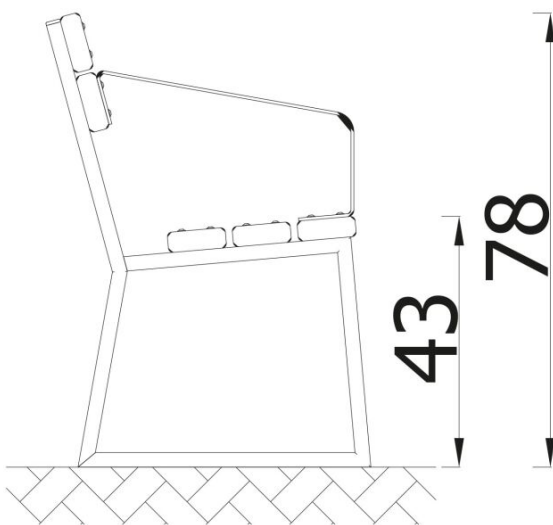
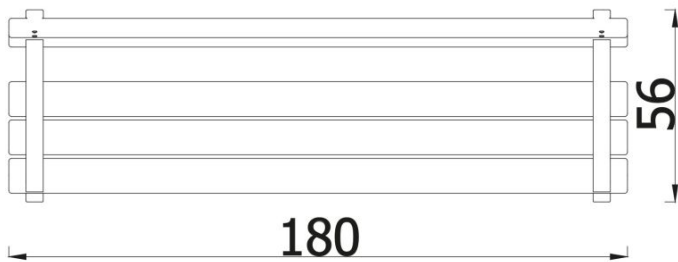


Profile bench with armrest

50158Z



DESCRIPTION

The NOVUM collection of modern city benches is a response to the current needs of the market. Simple, yet solid and functional, perfectly matching the prevailing trends in the arrangement of places with outstanding architecture. The construction of the benches is based on high-quality S235 steel, protected against corrosion by the layer of zinc and powder coating. All connectors and fittings are resistant to weather conditions and UV radiation. Aesthetic seats and backrests are made of selected alder wood, protected with a special protective agent in a warm color. The alder wood used is safe for the user because it does not resin and does not stain the clothes of the sitting people. It also has no knots and ...

INFORMATION

Number of users	
Age range	
Device dimensions [m]	1.8 x 0.78 x 0.56
Compliance with the norm	
Spare parts	

SAFETY SURFACE

Zone	Max height of fall [m]	Area [m ²]	Perimeter of safety zone [m]
A			
B			
C			