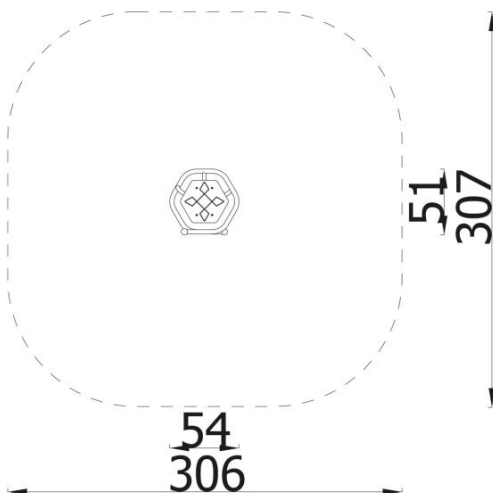
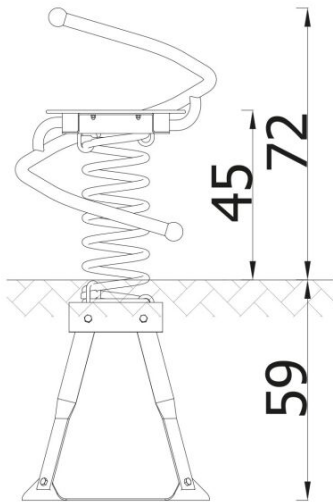


### DESCRIPTION

An indispensable element of every playground. Thanks to careful execution, it is the favorite companion of every child's play. Spring ride is an unforgettable adventure, which also develops coordination and balance. It provides children with unique entertainment in a friendly environment and creates the opportunity to use child energy positively.



### INFORMATION

Number of users	1
Age range	3 - 14
Device dimensions [m]	0,51 x 0,75 x 0,57
Compliance with the norm	EN-1176-1:2017-12
Spare parts	

### SAFETY SURFACE

Zone	Max height of fall [m]	Area [m <sup>2</sup> ]	Perimeter of safety zone [m]
A	0,6	8,5	10,6
B			
C			