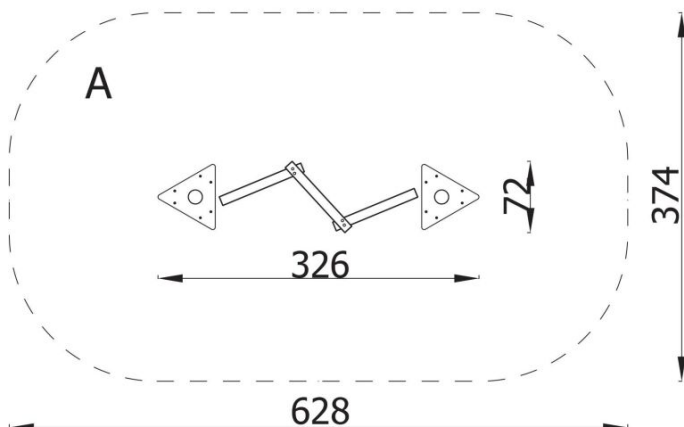
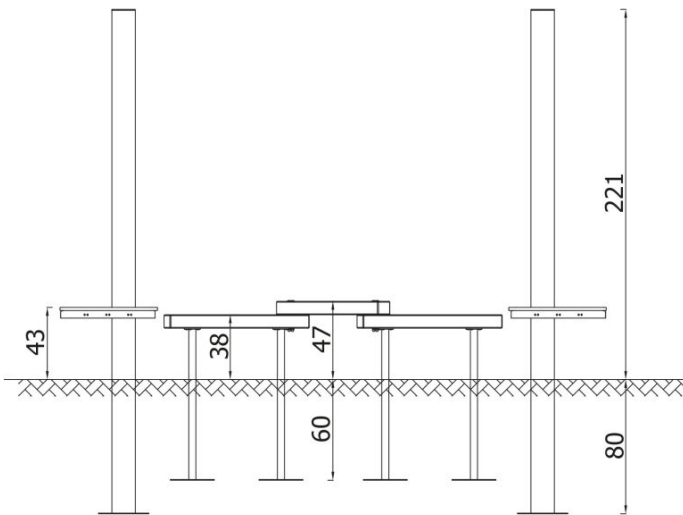
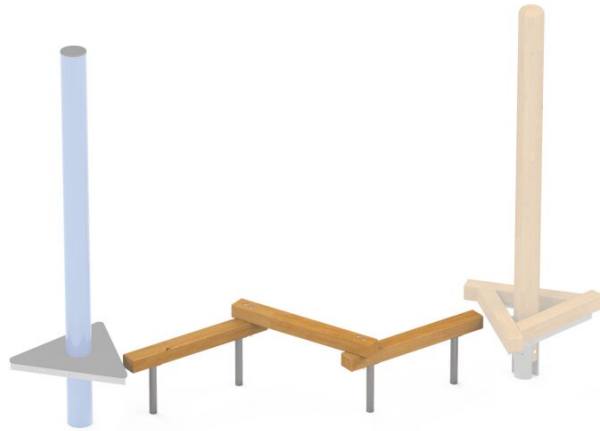


DESCRIPTION

Element from the Mini Park series. In combination with other modules, it creates various types of obstacles in the form of ladders, climbing, moving bridges in the form of ladders, climbing, moving bridges.



INFORMATION

Number of users	4
Age range	3 - 14
Device dimensions [m]	0.78 x 2.2 x 3.38
Compliance with the norm	EN 1176
Spare parts	

SAFETY SURFACE

Zone	Max height of fall [m]	Area [m ²]	Perimeter of safety zone [m]
A	0.47	22.39	17.82
B			
C			