

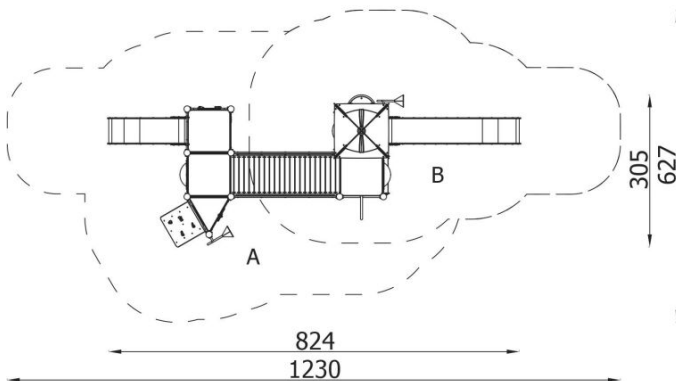
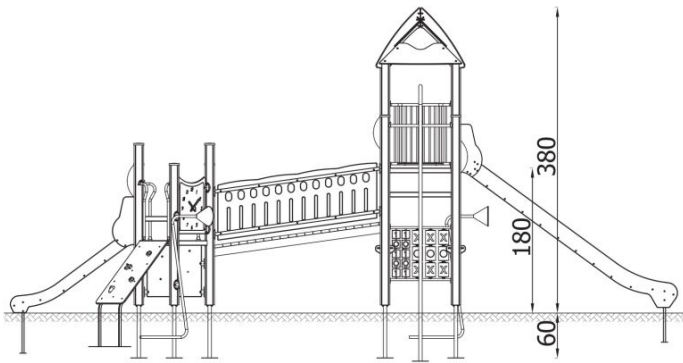
DESCRIPTION

4 square platforms, triangular platform, deep stainless steel slide, stainless steel slide, fireman pipe, bridge, climbing entrance, climbing wall, tic-tac-toe, 8 security panels, shop panel, envelope hipped roof with dormers



INFORMATION

Number of users	22
Age range	3 - 14
Device dimensions [m]	3.05 x 3.8 x 8.24
Compliance with the norm	EN-1176-1:2017-12
Spare parts	



SAFETY SURFACE

Zone	Max height of fall [m]	Area [m ²]	Perimeter of safety zone [m]
A	1.5	26	31
B	1.8	26.5	
C			