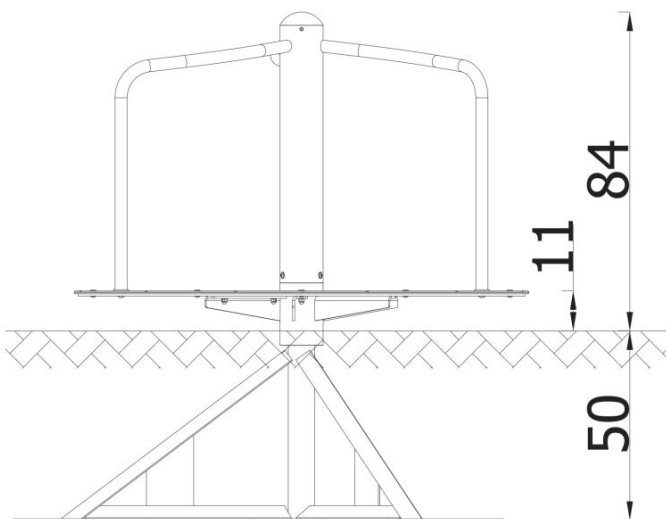


120
520



DESCRIPTION

The Spiro 120 Carousel features a dynamic look and functionality. Designed for standing play, it allows children to actively spend time outdoors. Ergonomic handles and a stable base ensure safety and comfort during use. Construction: made from S235 steel; Anchoring: foundation below ground level; Panels and tabletops: high-pressure laminate (HPL) (8-12 mm); Steel components: protected against corrosion by galvanizing and powder coating; All fittings and connectors: made from stainless steel.

INFORMATION

Number of users	3
Age range	
Device dimensions [m]	1,2 x 0,84 x 1,2
Compliance with the norm	
Spare parts	

SAFETY SURFACE

Zone	Max height of fall [m]	Area [m ²]	Perimeter of safety zone [m]
A			
B			
C			