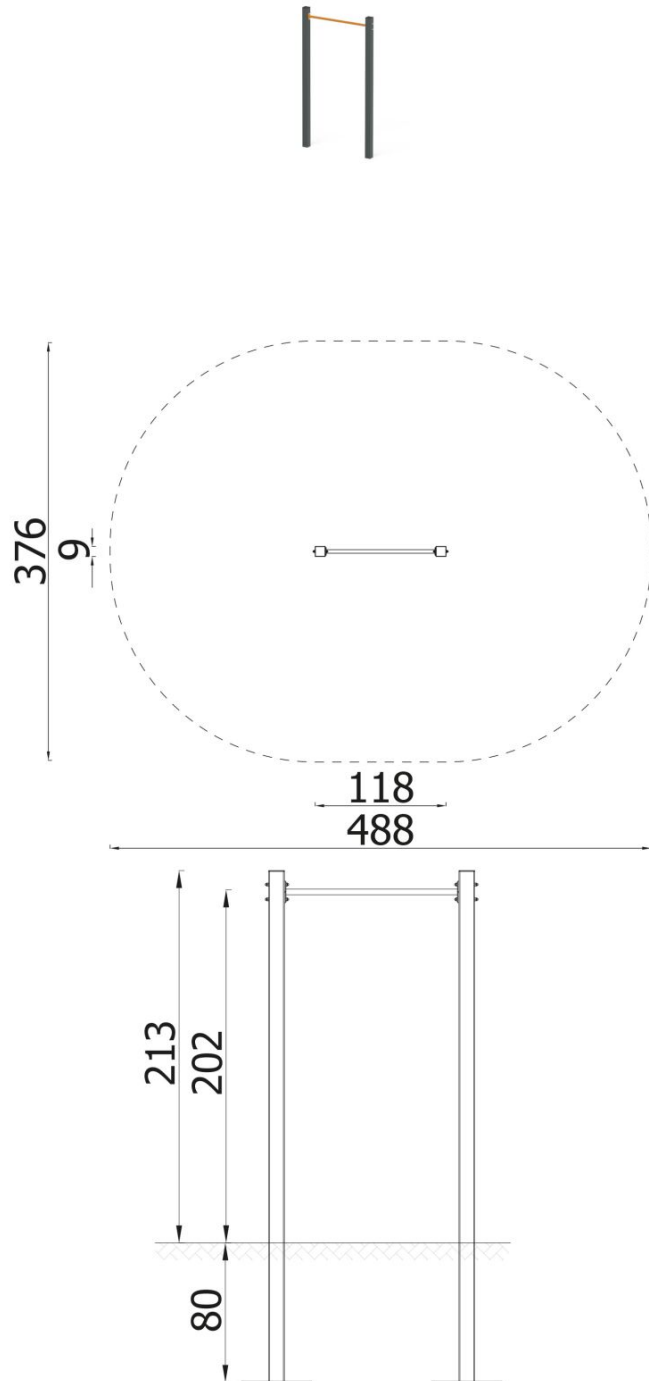


Street workout single high bar Yellow

1567-C



DESCRIPTION

Street workout equipment for doing kalistenic exercises, that is based on training with the use of own body weight. These extremely spectacular exercises develop all the muscles, improve coordination, fitness and strength. The device is extremely solid, made of the highest quality materials resistant to weather conditions.

INFORMATION

Number of users	1
Age range	14+
Device dimensions [m]	1.18 x 2.13 x 0.09
Compliance with the norm	EN 16630
Spare parts	

SAFETY SURFACE

Zone	Max height of fall [m]	Area [m ²]	Perimeter of safety zone [m]
A			14.5
B			
C	2.02	16	