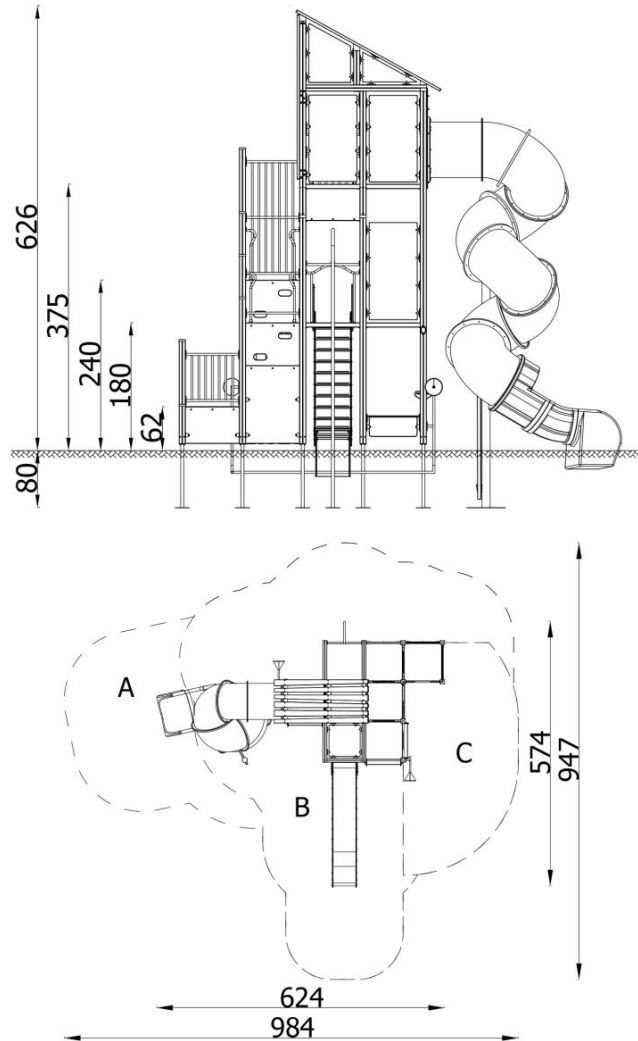


High Tower 121002EPZ

121002EPZ



DESCRIPTION

The thrill-filled climb to the top of the soaring structure is a real treat for every fun enthusiast. Overcoming numerous ladders, rope ascents or interlacing is a great way to strengthen muscle strength, an opportunity to train balance and the ability to independently assess the risk. Each tower consists of several levels, the conquering of which brings great satisfaction, and the reward for the effort is a great view from the top of the tower and the possibility of sliding down huge tunnel slides to the very bottom to be able to start the adventure from the beginning.

INFORMATION

Number of users	35
Age range	3 - 14
Device dimensions [m]	5.74 x 6.26 x 6.24
Compliance with the norm	EN-1176-1:2017-12
Spare parts	

SAFETY SURFACE

Zone	Max height of fall [m]	Area [m ²]	Perimeter of safety zone [m]
A	1.5	10.5	32
B	1.8	37.5	
C	2.4	10.5	