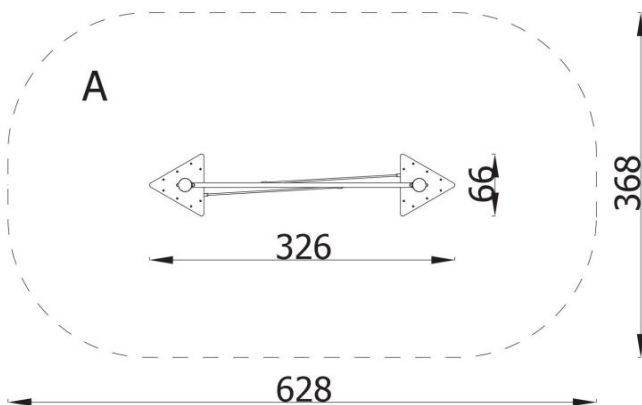
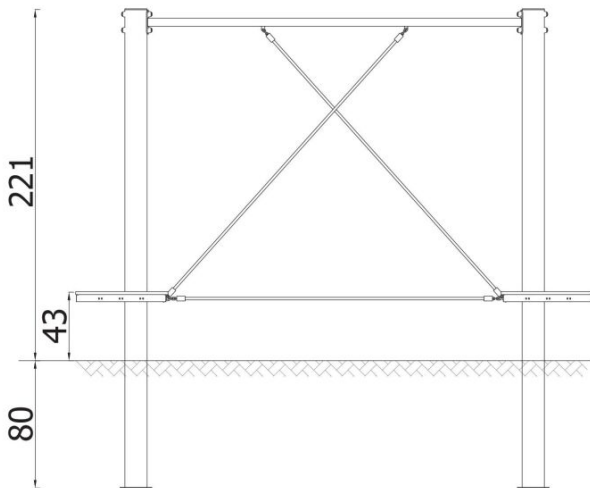
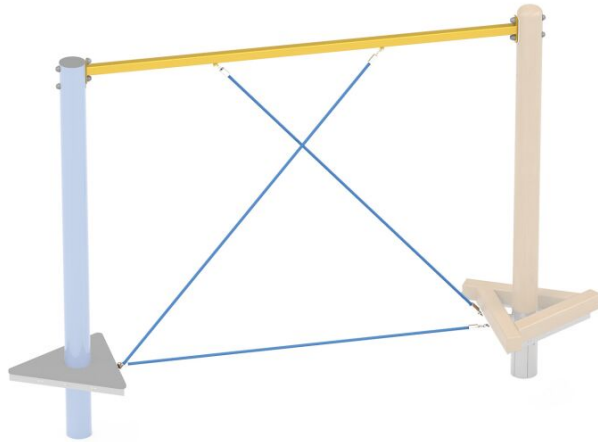


DESCRIPTION

Element from the Mini Park series. In combination with other modules, it creates various types of obstacles in the form of ladders, climbing, moving bridges.



INFORMATION

Number of users	4
Age range	3 - 14
Device dimensions [m]	0.78 x 2.2 x 3.38
Compliance with the norm	EN 1176
Spare parts	

SAFETY SURFACE

Zone	Max height of fall [m]	Area [m ²]	Perimeter of safety zone [m]
A	0.43	22.39	17.82
B			
C			