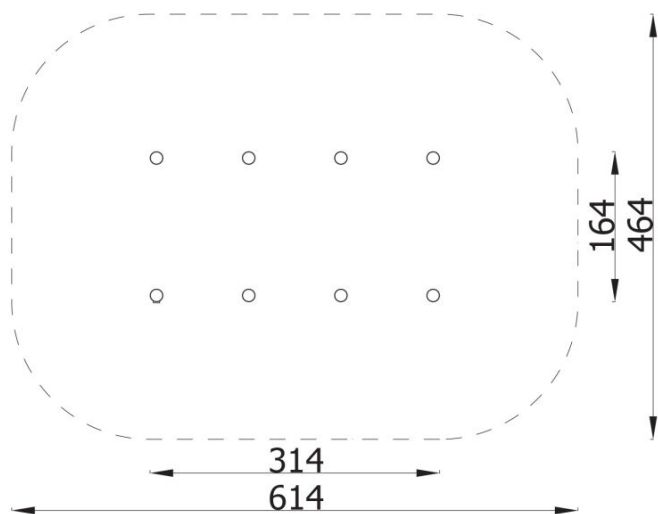
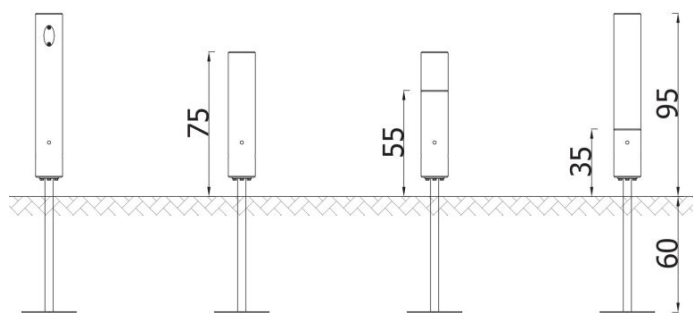
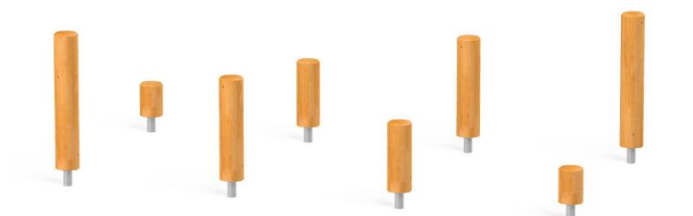


DESCRIPTION

A set of 8 fitness bars that are an element of school or park fitness equipment. This exercise affects the improvement of flexibility, balance, coordination of movement and overall fitness of the body.



INFORMATION

Number of users	6
Age range	3 - 14
Device dimensions [m]	3.14 x 0.95 x 1.64
Compliance with the norm	EN-1176-1:2017-12
Spare parts	

SAFETY SURFACE

Zone	Max height of fall [m]	Area [m ²]	Perimeter of safety zone [m]
A	0.95	27	19
B			
C			