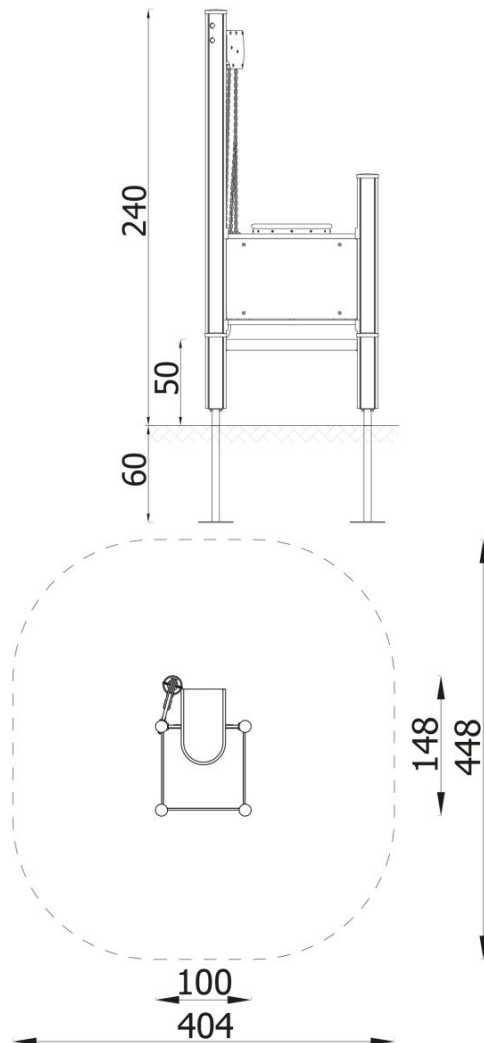


Sand Winch with Platform

11587EPZ



DESCRIPTION

A set that allows for fascinating play with sand. Develops the sense of planning, eye-hand coordination, imagination and teaches cooperation. It works best in the immediate vicinity of the sandbox.

INFORMATION

Number of users	3
Age range	3 - 14
Device dimensions [m]	1.48 x 2.4 x 1
Compliance with the norm	EN 1176
Spare parts	

SAFETY SURFACE

Zone	Max height of fall [m]	Area [m ²]	Perimeter of safety zone [m]
A	0.5	16	14.5
B			
C			