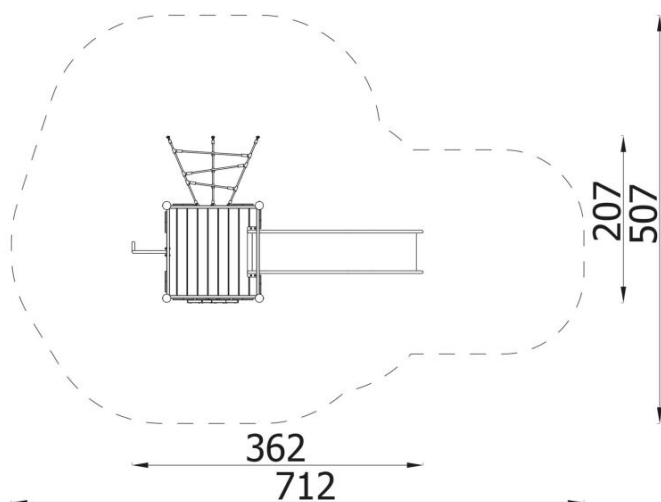
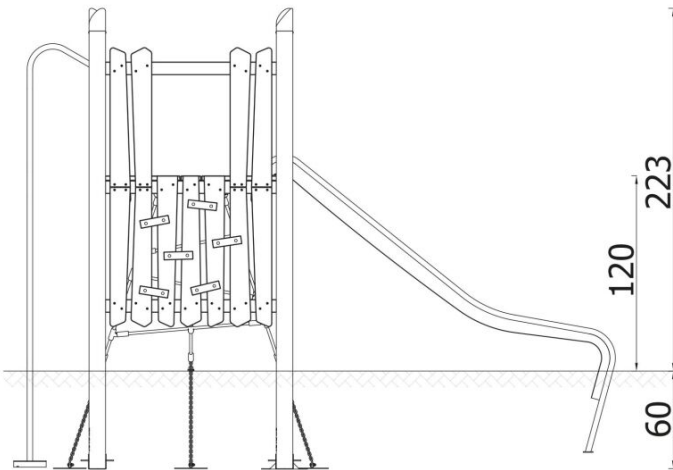


DESCRIPTION

All wooden elements made of extremely durable acacia wood - robinia, secured with a colorless protective agent. The structural elements of the collection - round poles are made of high quality stainless steel mounted directly in the ground. Each pole is finished with unique cover made of robinia. Weatherproof polypropylene ropes with a steel core, with a natural colour suiting the whole collection. Stainless steel fittings and slides. New exclusive series of devices created for very demanding users.



INFORMATION

Number of users	7
Age range	3 - 14
Device dimensions [m]	3.62 x 2.23 x 2.07
Compliance with the norm	EN-1176-1:2017-12
Spare parts	

SAFETY SURFACE

Zone	Max height of fall [m]	Area [m ²]	Perimeter of safety zone [m]
A	1.2	26.5	20.5
B			
C			