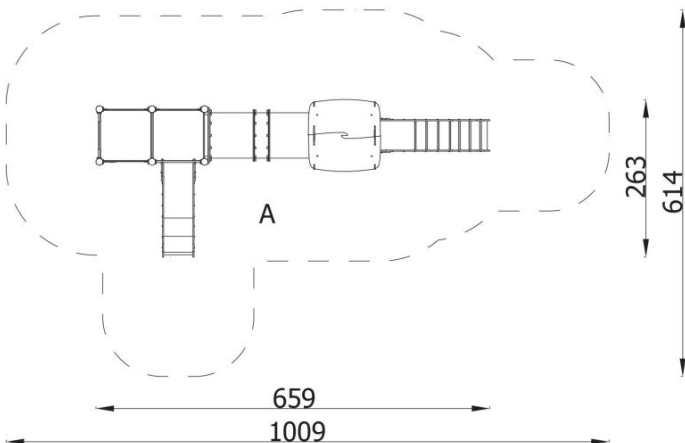
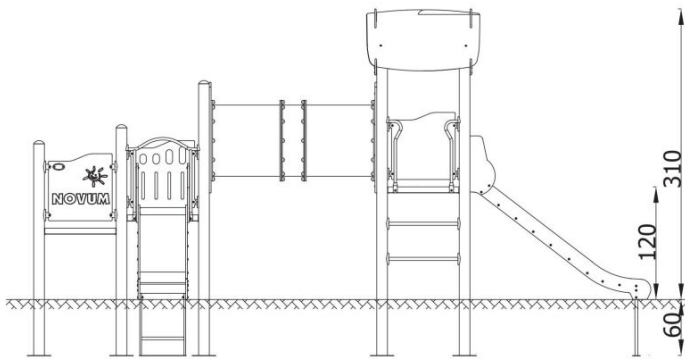




DESCRIPTION

1 tower with gable roof, 2 square platforms, 1 tunnel bridge, 1 deep slide, 1 slide 104, 4 safety HDPE boards with decorative cuts, 1 square landing, 2 entrance, 4 climbing bars, 1 metal bar over the slide, 10 metal fittings to be installed in the ground



INFORMATION

Number of users	12
Age range	3 - 14
Device dimensions [m]	2.63 x 3.1 x 6.59
Compliance with the norm	EN-1176-1:2017-12
Spare parts	

SAFETY SURFACE

Zone	Max height of fall [m]	Area [m ²]	Perimeter of safety zone [m]
A	1.2	40.5	28
B			
C			